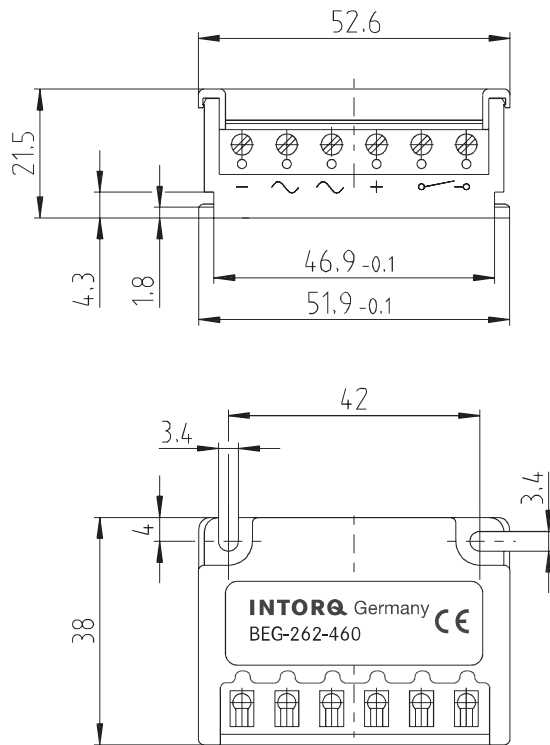


Rectifiers

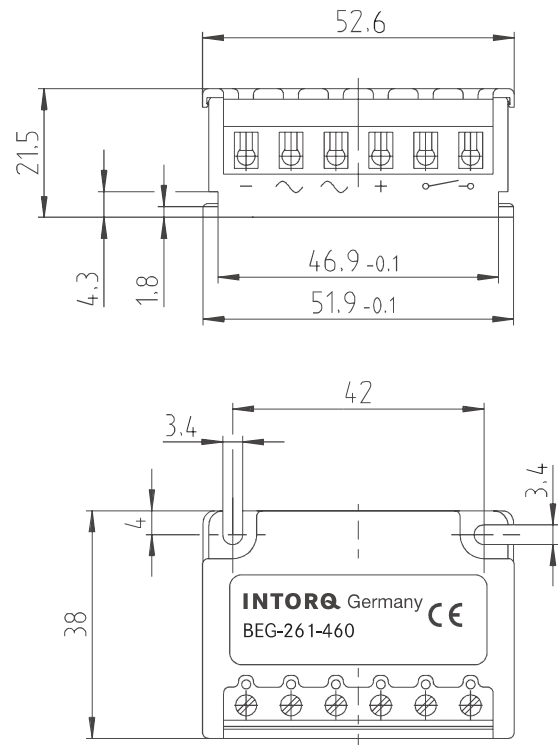
6-pole half-wave rectifier

Dimensions

BEG-262-460
BEG-262-555



BEG-261-460
BEG-261-555



6-pole half-wave rectifier

BEG-262-460
BEG-261-460
BEG-262-555
BEG-261-555

Application area

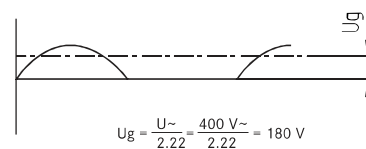
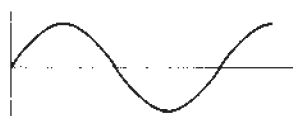
Current supply for spring-applied brakes from AC mains (normal excitation).

Example: 180 V coil on 400 V mains

Technical data

Max. mains voltage	555 V~
Max. DC current at 60°C	0.75 A
Max. ambient temperature	80°C

The rectifiers are protected against overvoltage by input and output varistors. BEG-162-270/161-270/262-460/261-460 rectifiers also contain the spark suppressor required by VDE 0580 Section 26.



Rectifiers

Fastening options 6-pole rectifier

